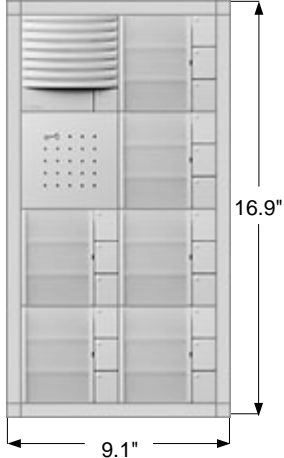



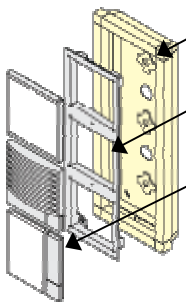
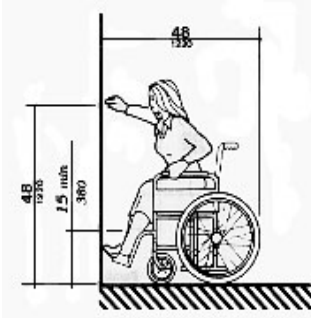
# Intercom & Access Control Security System Specifications

## Door Entry Station (8-A63S2-E \_)

An intercom and access control security system designed to meet the common requirements of a seventeen or eighteen unit multi-family building security. The system consists of entry door stations, internal communication stations and a power and switching panel. This specification describes a selected entry station.

<p>Wall mounted stations are available in two configurations and may be flush or surface mounted.</p> 	<h3>Module Descriptions</h3> <p><b><a href="#">TLM612-01 Door Loudspeaker</a></b> –Weather-proof module with floating low current light button and illuminated light symbol. Also, equipped with volume controller for the loudspeaker. Providing full duplex voice communication to each internal handset station.</p> <p><b><a href="#">TM612-3 Call Button</a></b> –Call button and lighting features are clearly designed and simply arranged. With doorbell ring to each internal handset station.</p> <p><b><a href="#">ELM611-0 Easikey Reader</a></b> –A no-contact access control system with LED function. Using either an electronic key or card this reader releases doors, gates, etc.</p> <p><b><a href="#">ZDS601-0 Anti-theft Safeguard Accessory</a></b> –A two state solenoid magnet for integration into the mounting frame together with a stable metal plate is used to lock the release mechanism. This solenoid lock and electronic controller prevents the removal and theft of modules.</p> <p><b><a href="#">Available Colors</a></b> – Silver Metallic, White, Titanium Metallic and Graphite Brown Metallic</p>
--	---

## Wall Mounting Options

<a href="#">Surface Mounting</a>		Mounting Standards (ADA Standards – 28 CFR Part 36 7/1/94)	
 <p style="text-align: center;">1.45"</p>	 <p>Surface-mount housing Mounting frame Function modules</p>		<p>Mount the top of the frame combination shown above at 52" where a disabled person will reach forward or at 56" where a disabled person will reach from the side.</p> <p>This will place the speaker button and call button at heights that will meet ADA standards (28 CFR Part 36 7/1/94).</p>

## Parts List

Qty	Part #	Description
1	TLM 612-01	Door loudspeaker
6	TM 612-3	Call button
1	ELM 611-0	Easikey reader
4	ZDS 601-0	Anti-theft lock
1	GA 611-4/2-0	Surface mount frame
2	MR 611-4/1-0	Mounting frame

# SSS SIEDLE

750 Parkway  
Broomall, PA 19008  
Tel. 610 353 9595  
Fax 610 353 9716  
Email: [info@siedleusa.com](mailto:info@siedleusa.com)  
Web: [www.siedleusa.com](http://www.siedleusa.com)