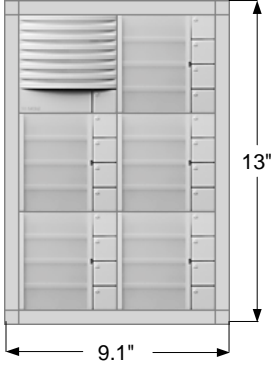



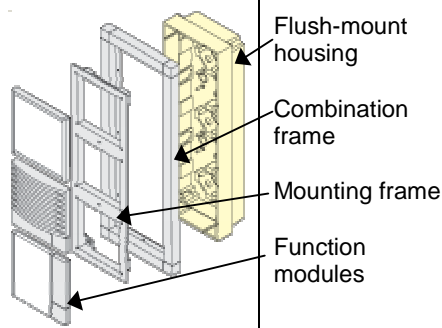
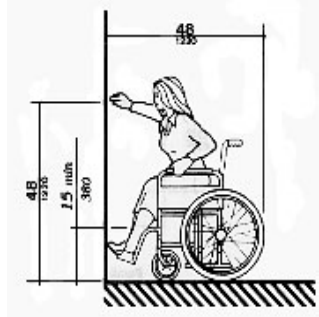
Intercom & Access Control Security System Specifications

Door Entry Station (8-A54F2-0_)

An intercom and access control security system designed to meet the common requirements of a nineteen to twenty unit multi-family building security. The system consists of entry door stations, internal communication stations and a power and switching panel. This specification describes a selected entry station.

<p>Wall mounted stations are available in two configurations and may be flush or surface mounted.</p> 	<h3>Module Descriptions</h3> <p>TLM612-01 Door Loudspeaker –Weather-proof module with floating low current light button and illuminated light symbol. Also, equipped with volume controller for the loudspeaker. Providing full duplex voice communication to each internal handset station.</p> <p>TM612-4 Call Button –Call button and lighting features are clearly designed and simply arranged. With doorbell ring to each internal handset station.</p> <p>ZDS601-0 Anti-theft Safeguard Accessory –A two state solenoid magnet for integration into the mounting frame together with a stable metal plate is used to lock the release mechanism. This solenoid lock and electronic controller prevents the removal and theft of modules.</p> <p>Available Colors – Silver Metallic, White, Titanium Metallic and Graphite Brown Metallic</p>
---	---

Wall Mounting Options

<p>Flush Mounting</p> 		<p>Mounting Standards (ADA Standards – 28 CFR Part 36 7/1/94)</p> 	<p>Mount the top of the frame combination shown above at 52" where a disabled person will reach forward or at 56" were a disabled person will reach from the side.</p> <p>This will place the speaker button and call button at heights that will meet ADA standards (28 CFR Part 36 7/1/94).</p>
---	---	--	---

Parts List

Qty	Part #	Description
1	TLM 612-01	Door loudspeaker
5	TM 612-4	Call button
3	ZDS 601-0	Anti-theft lock
1	KR 611-3/2-0	Flush mount frame
2	MR 611-3/1-0	Mounting frame
2	GU 611-3/1-0	Flush mount housing

SSS SIEDLE

750 Parkway
 Broomall, PA 19008
 Tel. 610 353 9595
 Fax 610 353 9716
 Email: info@siedleusa.com
 Web: www.siedleusa.com