


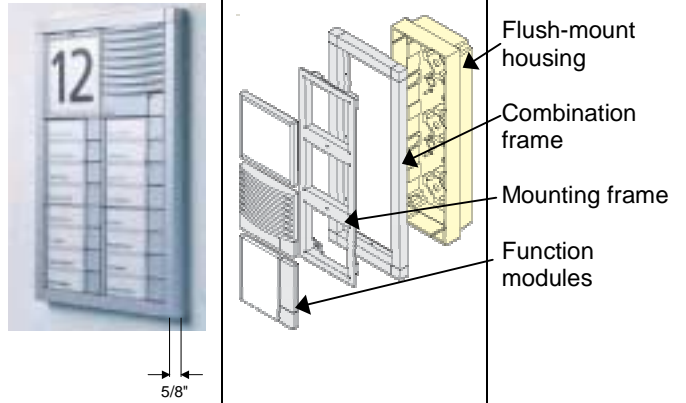
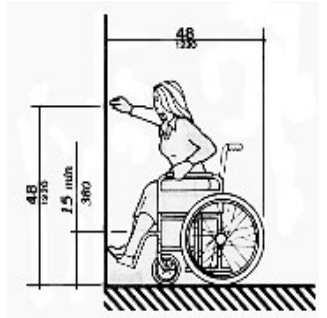
Intercom & Access Control Security System Specifications

Door Entry Station (8-A34F2-0_)

An intercom and access control security system designed to meet the common requirements of a ten to twelve unit multi-family building security. The system consists of entry door stations, internal communication stations and a power and switching panel. This specification describes a selected entry station.

| | |
|---|---|
| <p>Wall mounted stations are available in two configurations and may be flush or surface mounted.</p>  | <h3>Module Descriptions</h3> <p>TLM612-01 Door Loudspeaker –Weather-proof module with floating low current light button and illuminated light symbol. Also, equipped with volume controller for the loudspeaker. Providing full duplex voice communication to each internal handset station.</p> <p>TM612-4 Call Button –Call button and lighting features are clearly designed and simply arranged. With doorbell ring to each internal handset station.</p> <p>ZDS601-0 Anti-theft Safeguard Accessory –A two state solenoid magnet for integration into the mounting frame together with a stable metal plate is used to lock the release mechanism. This solenoid lock and electronic controller prevents the removal and theft of modules.</p> <p>Available Colors – Silver Metallic, White, Titanium Metallic and Graphite Brown Metallic</p> |
|---|---|

Wall Mounting Options

| | |
|--|---|
| <p><u>Flush Mounting</u></p>  | <p>Mounting Standards (ADA Standards – 28 CFR Part 36 7/1/94)</p>  <p>Mount the top of the frame combination shown above at 52" where a disabled person will reach forward or at 56" where a disabled person will reach from the side.</p> <p>This will place the speaker button and call button at heights that will meet ADA standards (28 CFR Part 36 7/1/94).</p> |
|--|---|

Parts List

| Qty | Part # | Description |
|-----|--------------|---------------------|
| 1 | TLM 612-01 | Door loudspeaker |
| 3 | TM 612-4 | Call button |
| 3 | ZDS 601-0 | Anti-theft lock |
| 1 | KR 611-4/1-0 | Flush mount frame |
| 1 | MR 611-4/1-0 | Mounting frame |
| 1 | GU 611-4/1-0 | Flush mount housing |

SSS SIEDLE

750 Parkway
 Broomall, PA 19008
 Tel. 610 353 9595
 Fax 610 353 9716
 Email: info@siedleusa.com
 Web: www.siedleusa.com

