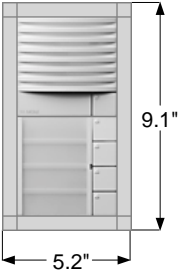



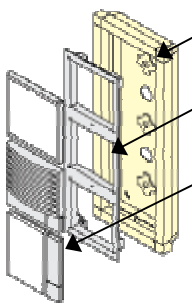
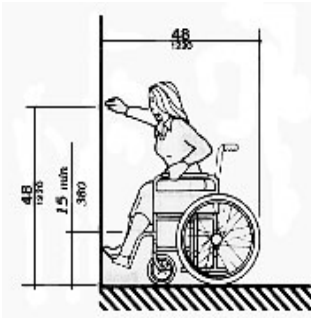
Intercom & Access Control Security System Specifications

Door Entry Station (8-A14S1-0_)

An intercom and access control security system designed to meet the common requirements of a four unit multi-family building security. The system consists of entry door stations, internal communication stations and a power and switching panel. This specification describes a selected entry station.

<p>Wall mounted stations are available in two configurations and may be flush or surface mounted.</p> 	<h3>Module Descriptions</h3> <p><u>TLM612-01 Door Loudspeaker</u> –Weather-proof module with floating low current light button and illuminated light symbol. Also, equipped with volume controller for the loudspeaker. Providing full duplex voice communication to each internal handset station.</p> <p><u>TM612-4 Call Button</u> –Call button and lighting features are clearly designed and simply arranged. With doorbell ring to each internal handset station.</p> <p><u>ZDS601-0 Anti-theft Safeguard Accessory</u> –A two state solenoid magnet for integration into the mounting frame together with a stable metal plate is used to lock the release mechanism. This solenoid lock and electronic controller prevents the removal and theft of modules.</p> <p><u>Available Colors</u> – Silver Metallic, White, Titanium Metallic and Graphite Brown Metallic</p>
---	---

Wall Mounting Options

<p><u>Surface Mounting</u></p>  <p style="text-align: center;">1.45"</p>	 <p>Surface-mount housing</p> <p>Mounting frame</p> <p>Function modules</p>	<p>Mounting Standards (ADA Standards – 28 CFR Part 36 7/1/94)</p>  <p>Mount the top of the frame combination shown above at 52" where a disabled person will reach forward or at 56" were a disabled person will reach from the side.</p> <p>This will place the speaker button and call button at heights that will meet ADA standards (28 CFR Part 36 7/1/94).</p>
---	--	---

Parts List

Qty	Part #	Description
1	TLM 612-01	Door loudspeaker
1	TM 612-4	Call button
1	ZDS 601-0	Anti-theft lock
1	GA 611-2/1-0	Surface mount frame
1	MR 611-2/1-0	Mounting frame

SSS SIEDLE

750 Parkway
 Broomall, PA 19008
 Tel. 610 353 9595
 Fax 610 353 9716
 Email: info@siedleusa.com
 Web: www.siedleusa.com