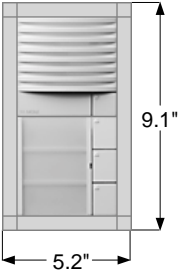



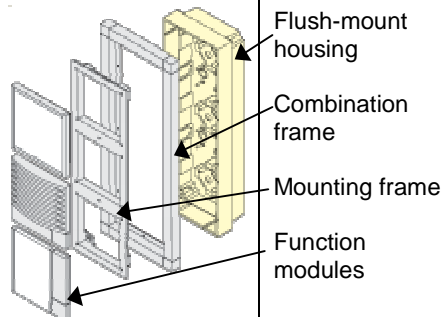
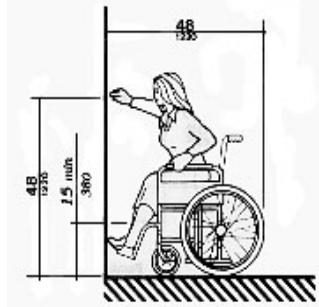
# Intercom & Access Control Security System Specifications

## Door Entry Station (8-A13F1-0\_)

An intercom and access control security system designed to meet the common requirements of a three unit multi-family building security. The system consists of entry door stations, internal communication stations and a power and switching panel. This specification describes a selected entry station.

<p>Wall mounted stations are available in two configurations and may be flush or surface mounted.</p> 	<h3>Module Descriptions</h3> <p><b>TLM612-01 Door Loudspeaker</b> –Weather-proof module with floating low current light button and illuminated light symbol. Also, equipped with volume controller for the loudspeaker. Providing full duplex voice communication to each internal handset station.</p> <p><b>TM612-3 Call Button</b> –Call button and lighting features are clearly designed and simply arranged. With doorbell ring to each internal handset station.</p> <p><b>ZDS601-0 Anti-theft Safeguard Accessory</b> –A two state solenoid magnet for integration into the mounting frame together with a stable metal plate is used to lock the release mechanism. This solenoid lock and electronic controller prevents the removal and theft of modules.</p> <p><b>Available Colors</b> – Silver Metallic, White, Titanium Metallic and Graphite Brown Metallic</p>
---	---

## Wall Mounting Options

<p><a href="#">Flush Mounting</a></p>  <p style="text-align: center;">5/8"</p>		<h3>Mounting Standards (ADA Standards – 28 CFR Part 36 7/1/94)</h3>  <p>Mount the top of the frame combination shown above at 52" where a disabled person will reach forward or at 56" were a disabled person will reach from the side.</p> <p>This will place the speaker button and call button at heights that will meet ADA standards (28 CFR Part 36 7/1/94).</p>
---	---	--

## Parts List

Qty	Part #	Description
1	TLM 612-01	Door loudspeaker
1	TM 612-03	Call button
1	ZDS 601-0	Anti-theft lock
1	KR 611-2/1-0	Flush mount frame
1	MR 611-2/1-0	Mounting frame
1	GU 611-2/1-0	Flush mount housing

# SSS SIEDLE

750 Parkway  
 Broomall, PA 19008  
 Tel. 610 353 9595  
 Fax 610 353 9716  
 Email: [info@siedleusa.com](mailto:info@siedleusa.com)  
 Web: [www.siedleusa.com](http://www.siedleusa.com)